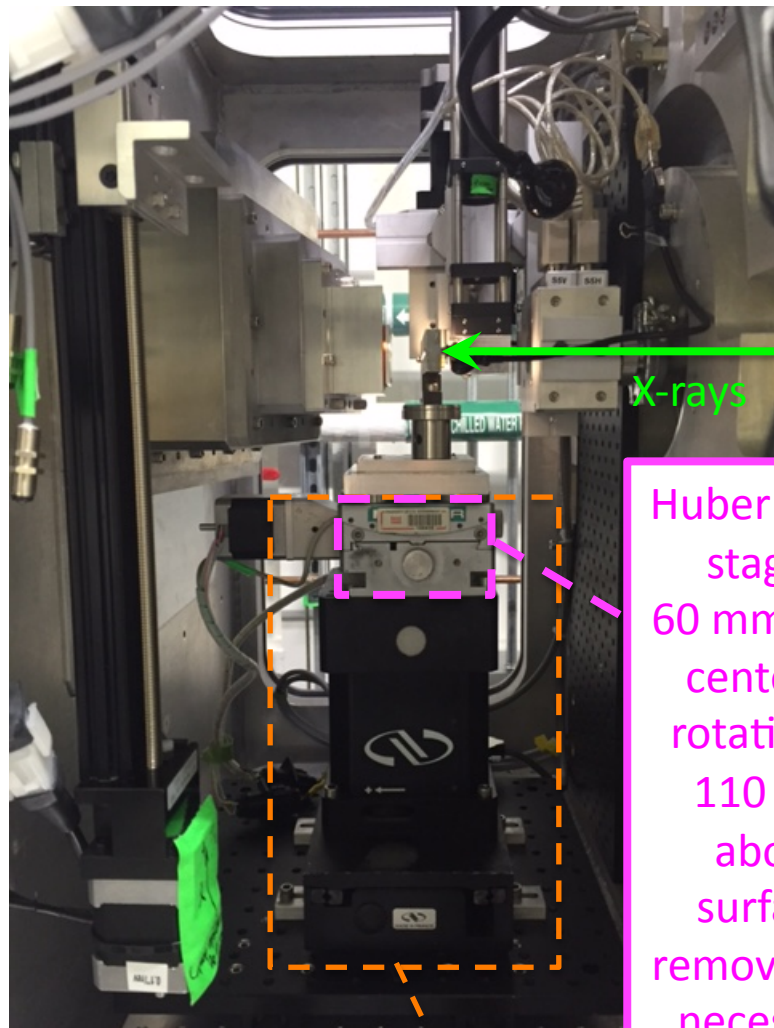


95 –
126
mm

On-axis microscope (removable)

Guard slits (can shift upstream)



X-rays

Huber th/chi stages: 60 mm high; center of rotation at 110 mm above surface; removable if necessary

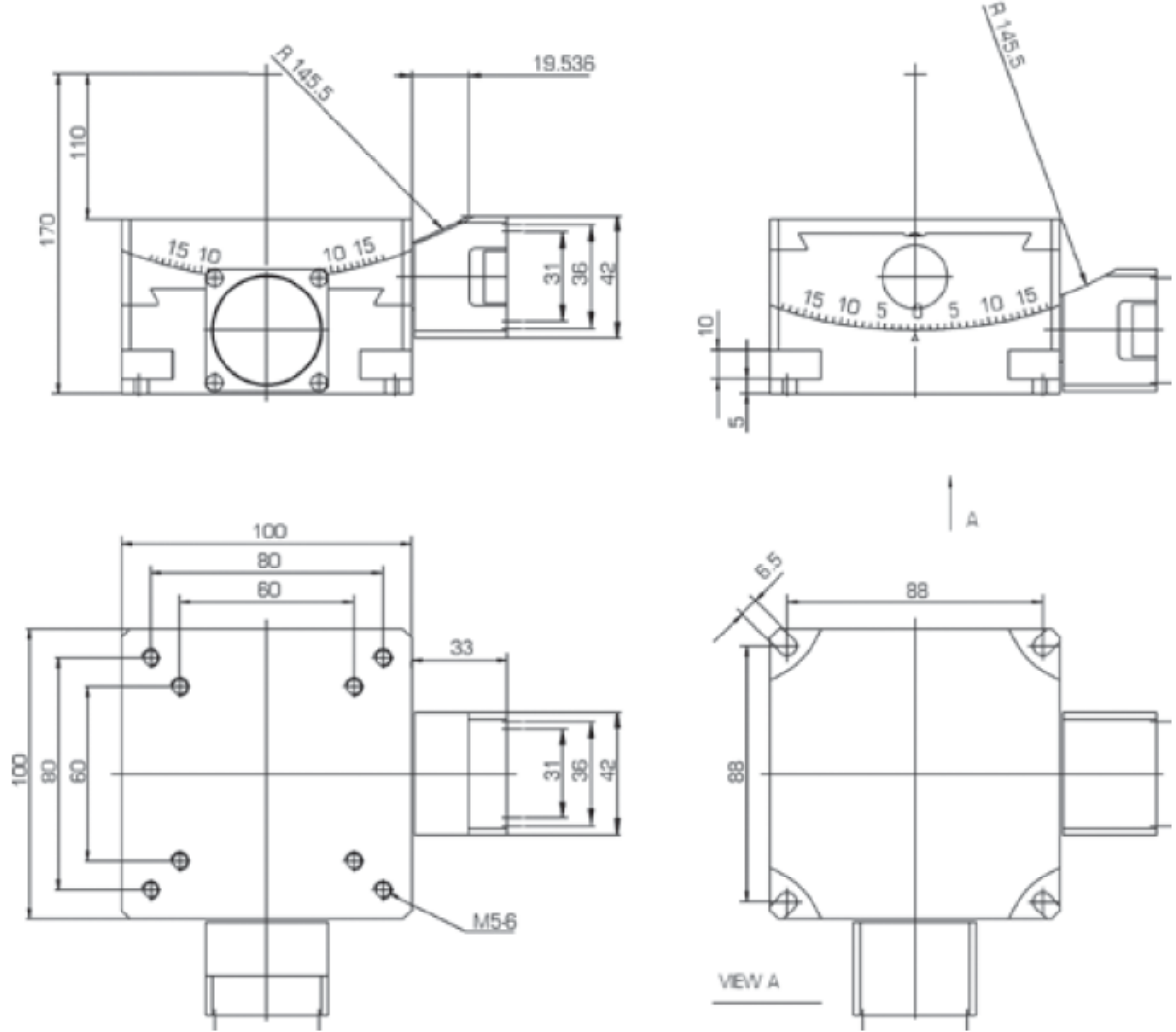
Semi-permanent stack (can translate along beam)

Dimensions of available sample area

- Up to 4" along the beam
- Up to 4" below the beam
- Up to 8" above the beam
- Up to 15" towards the front chamber door (outboard)
- Up to 4" towards the back chamber door (inboard)

See below for screw hole pattern on Huber th/chi stage surface

2-Circle-Segment 5203.10



See below for screw hole pattern on Newport GTS30V jack, to be used only if Huber th/chi stage needs to be removed

